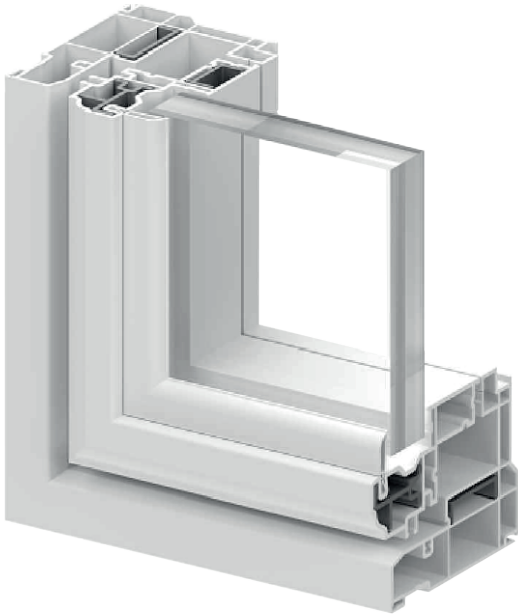


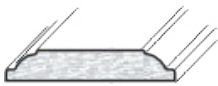
# ES-V500

## Casement Window



### Features

- Glass options:
  - 7/16" laminated glass
  - 1" insulating glass
  - 1" insulating laminated glass
- FBC Test: FL 42156
- Screen options available
- Mullion options available
- Aluminum reinforced
- Standard colors available
- Muntin:



0.875" WIDE x 0.125" TALL

System Description	
Minimum panel size	18 1/8" W x 25" H
Maximum panel size	29" W x 83" H
	41" W x 62" H
Frame depth	3 1/4"
Sightline	2 3/4" flush frame
	3 1/4" flange frame

### Water infiltration



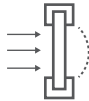
10.50 PSF.

### Air infiltration



1.57 PSF.

### Design load



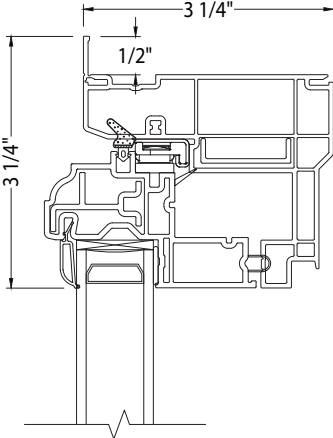
+60/-60 PSF.

# ES-V500

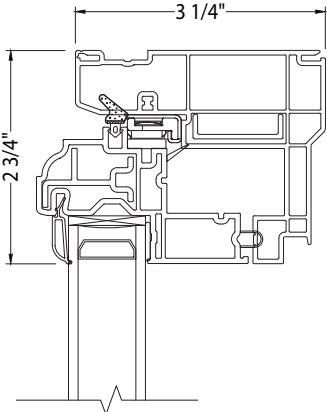


## Casement Window

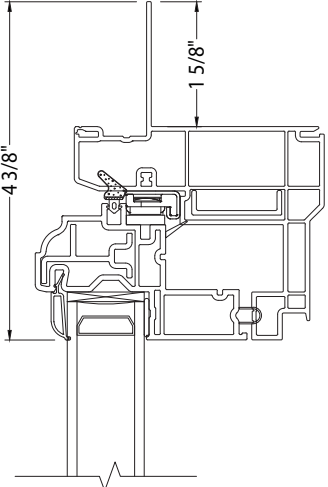
### Configurations ES-V500



Flange Frame

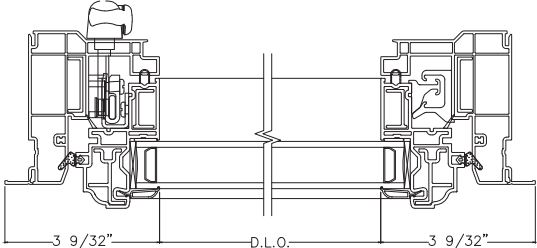
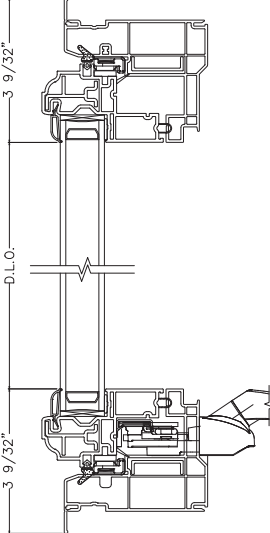
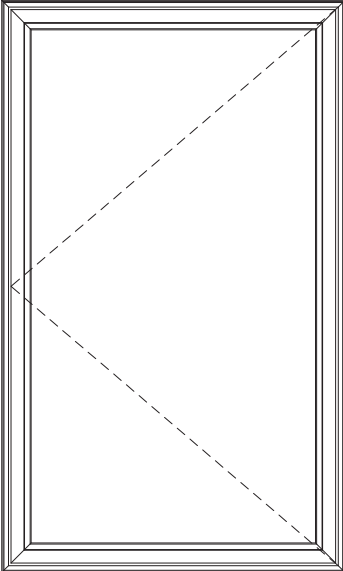


Flush Frame



Fin Frame

### Details ES-V500



# Accessories

## Hardware Options

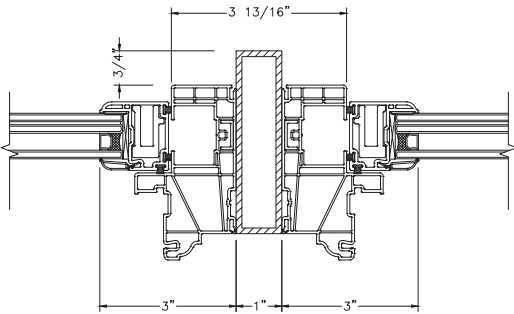


**Crack Handle - Arm Operator  
(V500/550)**



**Sash Lock  
(V100/200)**

## Aluminum Mullion



## Service

Our engineers and designers provide customers with ongoing assistance and technical support to ensure the best solution for every project.

We offer professional guidance to help customers pinpoint and balance their priorities. With this expert assistance, customers can plan and complete projects to achieve maximum benefits.

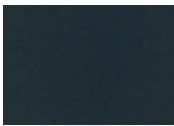
# Colors & Finishes

## Standard color

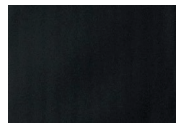


White

## Custom Colors & Laminate Foils (Coming soon)



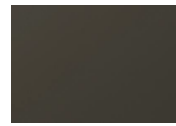
Anthracite Grey  
7016 Smooth 2



Black Smooth 2



Ceylon C-34 N  
Smooth



Flemish Gold  
C-33 N Smooth



Golden Oak



Trompet C-32 N  
Smooth

## Hardware Colors



Bronze



Black



White

## Engineering and Design

We offer the right solution for the most complex projects, and respond efficiently to the demands of architects. We can deliver reliable, efficient and affordable products, due to a combination of advanced software technology and a leading team of expert engineers and designers, who specialize in windows, doors, glass and aluminum systems.

The UPVC line provide customers the perfect combination of reliability, design and performance across a wide range of product types. It also provides the perfect performance solution, without sacrificing aesthetics.